

SECTION **ACC**  
ACCELERATOR CONTROL SYSTEM

A

ACC

C

D

E

CONTENTS

<b>PRECAUTION</b> .....	2	Exploded View .....	3	F
<b>PRECAUTIONS</b> .....	2	Removal and Installation .....	3	
Precaution for Supplemental Restraint System (SRS) "AIR BAG" and "SEAT BELT PRE-TENSIONER" .....	2	<b>SERVICE DATA AND SPECIFICATIONS (SDS)</b> .....	5	G
<b>REMOVAL AND INSTALLATION</b> .....	3	<b>SERVICE DATA AND SPECIFICATIONS (SDS)</b> .....	5	H
<b>ACCELERATOR CONTROL SYSTEM</b> .....	3	Accelerator Control .....	5	I

H

I

J

K

L

M

N

O

P

# PRECAUTIONS

< PRECAUTION >

## PRECAUTION

### PRECAUTIONS

#### Precaution for Supplemental Restraint System (SRS) "AIR BAG" and "SEAT BELT PRE-TENSIONER"

INFOID:000000007221963

The Supplemental Restraint System such as "AIR BAG" and "SEAT BELT PRE-TENSIONER", used along with a front seat belt, helps to reduce the risk or severity of injury to the driver and front passenger for certain types of collision. This system includes seat belt switch inputs and dual stage front air bag modules. The SRS system uses the seat belt switches to determine the front air bag deployment, and may only deploy one front air bag, depending on the severity of a collision and whether the front occupants are belted or unbelted. Information necessary to service the system safely is included in the SR and SB section of this Service Manual.

**WARNING:**

- To avoid rendering the SRS inoperative, which could increase the risk of personal injury or death in the event of a collision which would result in air bag inflation, all maintenance must be performed by an authorized NISSAN/INFINITI dealer.
- Improper maintenance, including incorrect removal and installation of the SRS, can lead to personal injury caused by unintentional activation of the system. For removal of Spiral Cable and Air Bag Module, see the SR section.
- Do not use electrical test equipment on any circuit related to the SRS unless instructed to in this Service Manual. SRS wiring harnesses can be identified by yellow and/or orange harnesses or harness connectors.

#### PRECAUTIONS WHEN USING POWER TOOLS (AIR OR ELECTRIC) AND HAMMERS

**WARNING:**

- When working near the Airbag Diagnosis Sensor Unit or other Airbag System sensors with the Ignition ON or engine running, DO NOT use air or electric power tools or strike near the sensor(s) with a hammer. Heavy vibration could activate the sensor(s) and deploy the air bag(s), possibly causing serious injury.
- When using air or electric power tools or hammers, always switch the Ignition OFF, disconnect the battery, and wait at least 3 minutes before performing any service.

# ACCELERATOR CONTROL SYSTEM

< REMOVAL AND INSTALLATION >

## REMOVAL AND INSTALLATION

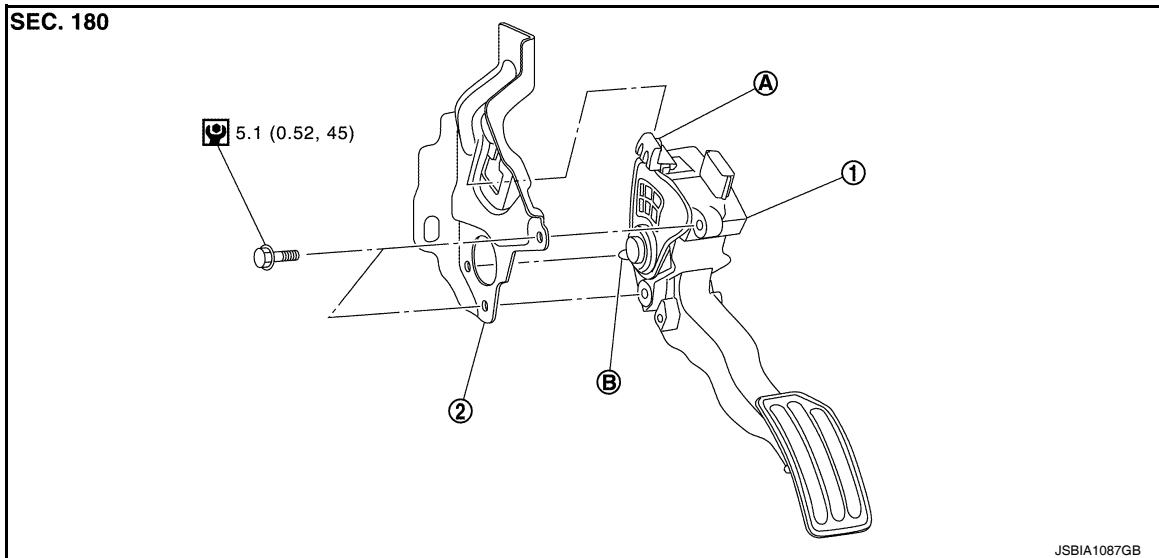
### ACCELERATOR CONTROL SYSTEM

Exploded View

INFOID:000000007221964

A

ACC



1. Accelerator pedal assembly

2. Brake pedal bracket

A. Locating hook

B. Locating pin

### Removal and Installation

INFOID:000000007221965

#### CAUTION:

- Never disassemble accelerator pedal assembly. Never remove accelerator pedal position sensor from accelerator pedal assembly.
- Avoid impact from dropping etc. during handling.
- Be careful to keep accelerator pedal assembly away from water.

#### REMOVAL

1. Disconnect the negative battery cable.
2. Disconnect accelerator pedal position sensor harness electrical connector.
3. Remove the accelerator assembly bolts and the accelerator pedal assembly.

#### INSTALLATION

Installation is in the reverse order of removal.

- When installing the accelerator pedal assembly, align the locating hook and locating pin holes on the brake pedal bracket.

#### CAUTION:

- Never squeeze the locating hook in the brake pedal bracket when inserting the locating pin into the hole on the brake pedal bracket side.
- After installation, perform inspection of the accelerator pedal assembly.

C

D

E

F

G

H

I

J

K

L

M

N

O

P

## ACCELERATOR CONTROL SYSTEM

### < REMOVAL AND INSTALLATION >

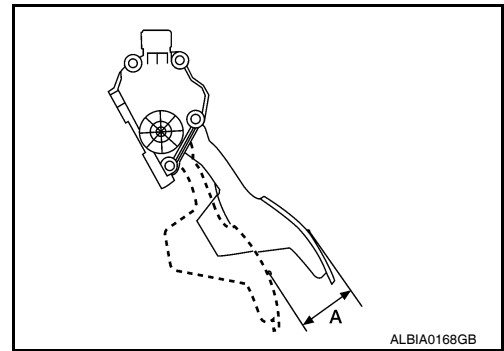
- Check that the accelerator pedal moves smoothly within the specified range.

**Pedal travel (A)** : Refer to [ACC-5, "Accelerator Control"](#).

- Depress and release the accelerator pedal to check that it returns quickly and smoothly to the original released position.
- Perform an electrical inspection of accelerator pedal position sensor. Refer to [EC-389, "Component Inspection"](#).

**CAUTION:**

- **The accelerator pedal shall operate smoothly without catching, when the pedal operating force is released. The pedal shall return smoothly to the fully raised position. The spring shall be free from damage.**
- **When harness connector of accelerator pedal position sensor is disconnected, perform "ACCELERATOR PEDAL RELEASED POSITION LEARNING". Refer to [EC-126, "Work Procedure"](#).**



# SERVICE DATA AND SPECIFICATIONS (SDS)

< SERVICE DATA AND SPECIFICATIONS (SDS)

## SERVICE DATA AND SPECIFICATIONS (SDS)

### SERVICE DATA AND SPECIFICATIONS (SDS)

#### Accelerator Control

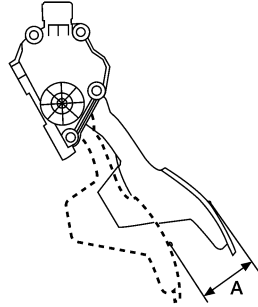
INFOID:000000007630712

A

ACC

#### PEDAL TRAVEL

C



D

E

F

Accelerator pedal - total travel (A)	51.2 ± 1.4 mm (2.02 ± 0.06 in)
Accelerator pedal - total pedal height	118 mm (4.65 in)

G

H

I

J

K

L

M

N

O

P